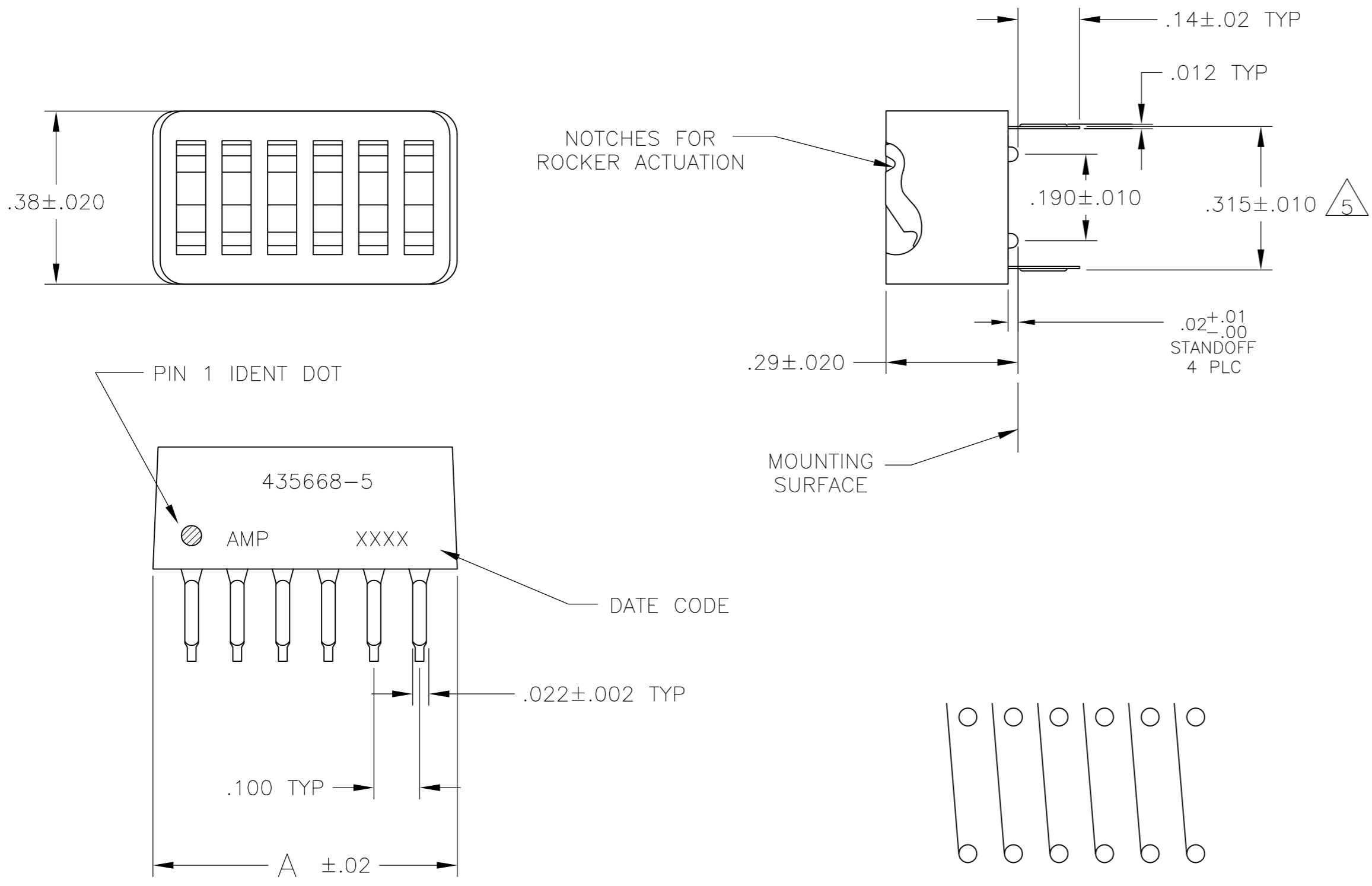


THIS DRAWING IS UNPUBLISHED. RELEASED FOR PUBLICATION  
 © COPYRIGHT - By - ALL RIGHTS RESERVED.

| LOC |     | DIST                      |         | REVISIONS |      |  |  |
|-----|-----|---------------------------|---------|-----------|------|--|--|
| P   | LTR | DESCRIPTION               | DATE    | DWN       | APVD |  |  |
|     | A2  | REVISED PER ECO-11-004917 | 11MAR11 | RK        | HMR  |  |  |



- FOR ADDITIONAL SPECIFICATIONS SEE AMP PRODUCT SPEC 108-7532.
- SWITCH SHOWN IN OPEN POSITION.
- ALL CHARACTERS AND ROCKERS ARE WHITE, HOUSING IS BLUE.
- STAMPING WILL VARY ON 2 AND 3 POSITION SIDES DUE TO SPACE RESTRICTIONS.
- $\triangle 5$  .315 DIMENSION APPLIES AT TERMINAL TIPS. TERMINALS ARE .300 +.010 AT MOUNTING SURFACE. -.000
- ALL MATERIALS AND FINISHES SHALL COMPLY WITH EU DIRECTIVE 2002 /95/EC OF 27JAN2003 (ROHS).
- $\triangle 7$  MATERIAL: HOUSING AND ROCKERS - POLYESTER  
CONTACT & SOLDER LEAD - COPPER ALLOY
- $\triangle 8$  FINISH: CONTACT - GOLD OVER NICKEL  
SOLDER LEAD - TIN OVER NICKEL
- $\triangle 9$  OBSOLETE PARTS: OBSOLETE CIS STREAMLINING PER D.RENAUD/D.SINISI

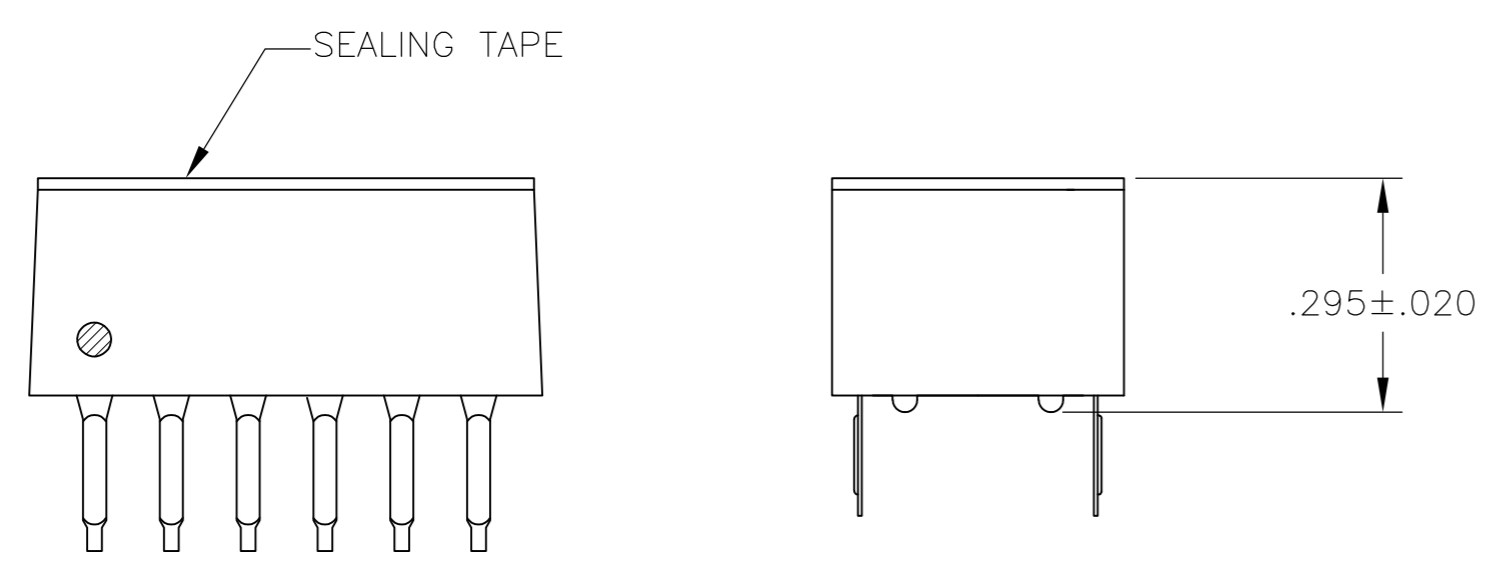
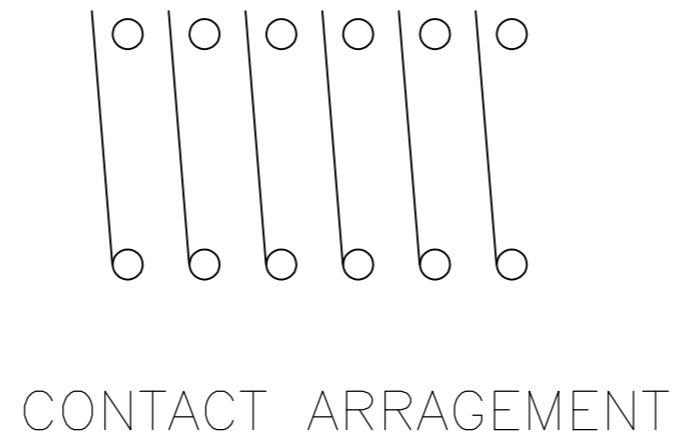
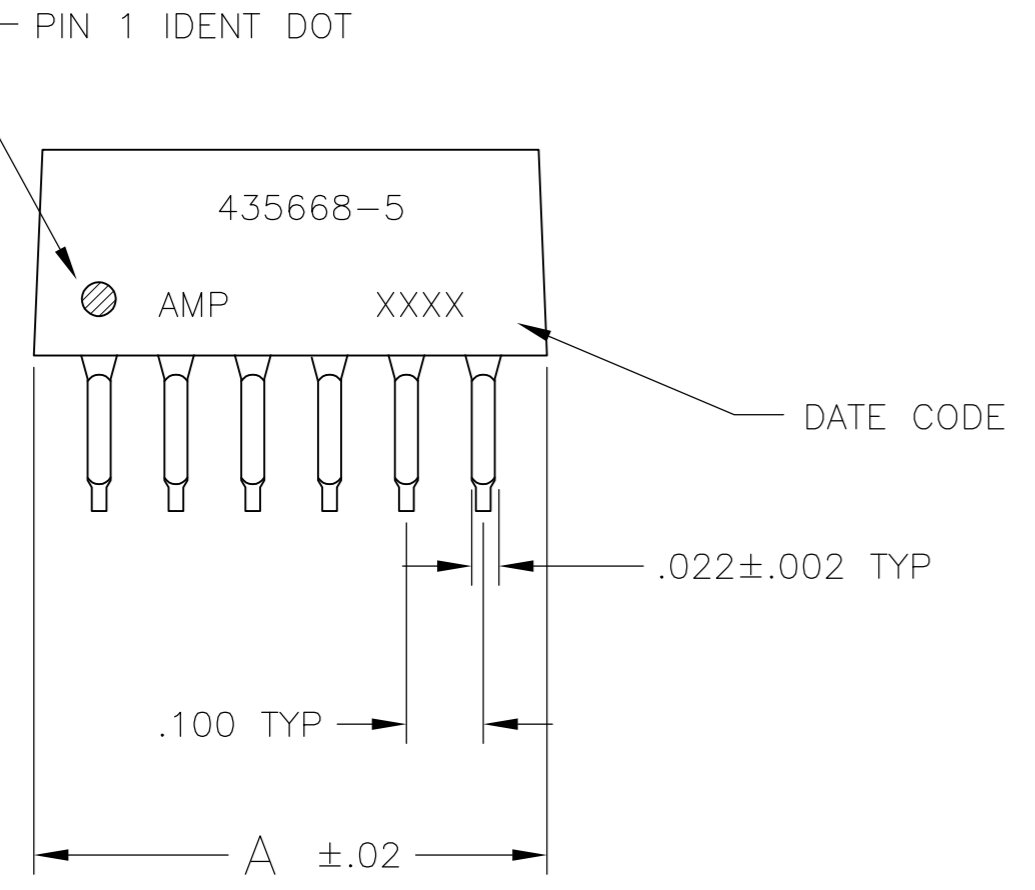


FIG 1

| FIG           | DESCRIPTION | QTY   | UNIT  | REF       | PART NO |             |
|---------------|-------------|-------|-------|-----------|---------|-------------|
| $\triangle 9$ | OBSOLETE    | FIG 7 | —     | .58       | 5       | 8-5435668-7 |
|               |             |       |       | .58       | 5       | 3-5435668-5 |
|               |             |       |       | .48       | 4       | 3-5435668-4 |
|               |             |       |       | .38       | 3       | 3-5435668-3 |
| $\triangle 9$ | OBSOLETE    | FIG 1 | FIG 2 | 1.28      | 12      | 3-5435668-2 |
| $\triangle 9$ | OBSOLETE    |       |       | 1.18      | 11      | 3-5435668-1 |
|               |             |       |       | 1.08      | 10      | 3-5435668-0 |
| $\triangle 9$ | OBSOLETE    |       |       | .98       | 9       | 2-5435668-9 |
|               |             |       |       | .88       | 8       | 2-5435668-8 |
|               |             |       |       | .78       | 7       | 2-5435668-7 |
|               |             |       |       | .28       | 2       | 2-5435668-6 |
|               |             |       |       | .68       | 6       | 2-5435668-5 |
|               |             |       |       | 1.08      | 10      | 5435668-9   |
|               |             |       |       | .88       | 8       | 5435668-7   |
|               |             | .68   | 6     | 5435668-5 |         |             |
|               |             | .58   | 5     | 5435668-4 |         |             |
|               |             | .48   | 4     | 5435668-3 |         |             |
| $\triangle 9$ | OBSOLETE    |       |       | .28       | 2       | 5435668-1   |

|  |  |                      |                  |  |                 |
|--|--|----------------------|------------------|--|-----------------|
| THIS DRAWING IS A CONTROLLED DOCUMENT. |  | DWN BSV              | OBJAN05          | <b>TE</b> TE Connectivity                                |                 |
| DIMENSIONS: INCHES                     |  | CHK —                | APVD —           |  |                 |
| TOLERANCES UNLESS OTHERWISE SPECIFIED: |  | PRODUCT SPEC         | APPLICATION SPEC | SWITCH ASSY, DIP, TYPE C, 7100 SERIES, SPST, LOW PROFILE |                 |
| 0 PLC ± -                              |  | 1 PLC ± -            | 2 PLC ± -        | 3 PLC ± .005   | 4 PLC ± -       |
| ANGLES ± -                             |  | FINISH               |                  | SIZE A2  | CAGE CODE 00779 |
| MATERIAL $\triangle 7$                 |  | FINISH $\triangle 8$ |                  | DRAWING NO C=5435668                                     | RESTRICTED TO   |
| CUSTOMER DRAWING                       |  | SCALE 4:1            |                  | SHEET 1 of 2   | REV A2          |

THIS DRAWING IS UNPUBLISHED.      RELEASED FOR PUBLICATION  
 © COPYRIGHT - By -      ALL RIGHTS RESERVED.

| LOC | DIST | REVISIONS |     |             |      |     |      |
|-----|------|-----------|-----|-------------|------|-----|------|
|     |      | P         | LTR | DESCRIPTION | DATE | DWN | APVD |
| AD  | 00   | -         | -   | SEE SHEET 1 | -    | -   | -    |

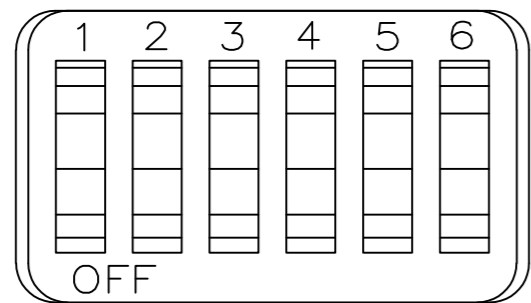


FIG 2

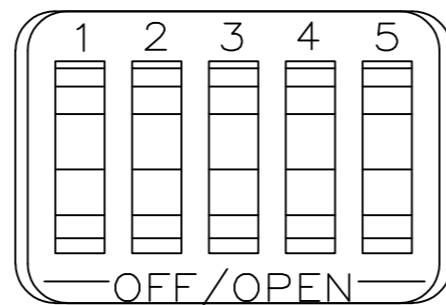


FIG 7

|  |  |                  |         |                  |               |   |     |
|--|--|------------------|---------|------------------|---------------|---|-----|
| THIS DRAWING IS A CONTROLLED DOCUMENT. |  | DWN              | 08JAN05 |                  |               | TE Connectivity   |     |
| DIMENSIONS:<br>INCHES                  |  | BSV              | -       |                  |               | SWITCH ASSY, DIP, TYPE C,<br>7100 SERIES, SPST, LOW PROFILE |     |
| TOLERANCES UNLESS OTHERWISE SPECIFIED: |  | CHK              | -       |                  | NAME          |   |     |
| 0 PLC ± -                              |  | APVD             | -       |                  | SIZE          |   |     |
| 1 PLC ± -                              |  | PRODUCT SPEC     | -       |                  | CAGE CODE     |   |     |
| 2 PLC ± -                              |  | APPLICATION SPEC | -       |                  | DRAWING NO    |   |     |
| 3 PLC ± .005                           |  | WEIGHT           | -       |                  | RESTRICTED TO |   |     |
| 4 PLC ± -                              |  | MATERIAL         |         | A2 00779         |               | C=5435668   |     |
| ANGLES ± -                             |  | FINISH           |         | CUSTOMER DRAWING |               | SCALE   | 4:1 |
| FINISH                                 |  | -                |         | SHEET            |               | 2 of 2  |     |
| -                                      |  | -                |         | REV              |               | A2  |     |